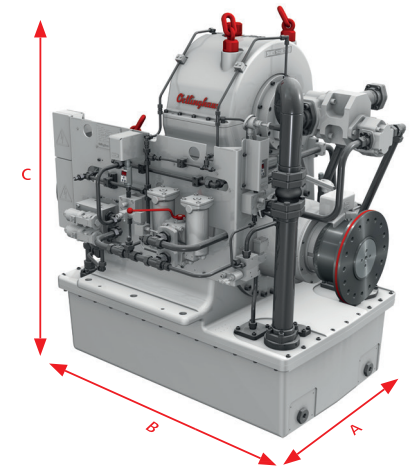
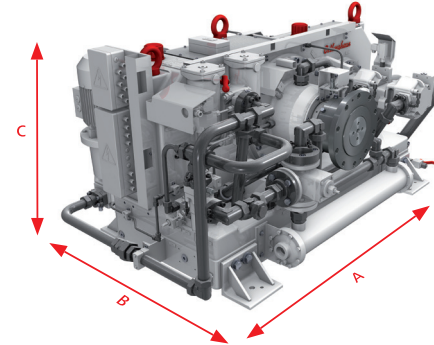
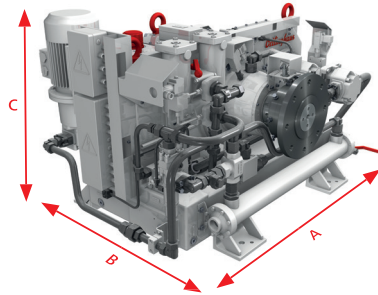


Prop.act data



Prop.act

	66 MD	72 MD	75 HD
T _{Mot, nenn}	15.750 Nm	25.000 Nm	35.650 Nm
P / n - Factor	1,65	2,62	3,7
n _{nenn, max.} - SL	1.800 min ⁻¹	1.800 min ⁻¹	1.800 min ⁻¹
n _{nenn, max.} - ML	1.400 min ⁻¹	1.400 min ⁻¹	1.000 min ⁻¹
n _{nenn, max.} - LL	1.000 min ⁻¹	1.000 min ⁻¹	750 min ⁻¹
Power PTO	40 kW	60 kW	60 kW
Cooling capacity ^{*)}	45 kW V _{H2O} = 3,5m ³ /h; T _{H2O} = 38°C	90 kW V _{H2O} = 10m ³ /h; T _{H2O} = 38°C	450 kW V _{H2O} = 27m ³ /h; T _{H2O} = 38°C
Tank oil volume	120 l	190 l	450 l
A	1.370 mm	1.740 mm	1.450 mm
B	1.230 mm	1.440 mm	1.930 mm
C	820 mm	960 mm	1.720 mm
Weight ¹⁾	~1.250 kg	~2.000 kg	~3.900 kg
Weight ²⁾	~1.450 kg	~2.250 kg	~4.250 kg

*) in dependence of V_{H2O} and T_{H2O},EIN

1) without oil filling, without stand-by pump / brake

2) without oil filling, with stand-by pump / brake